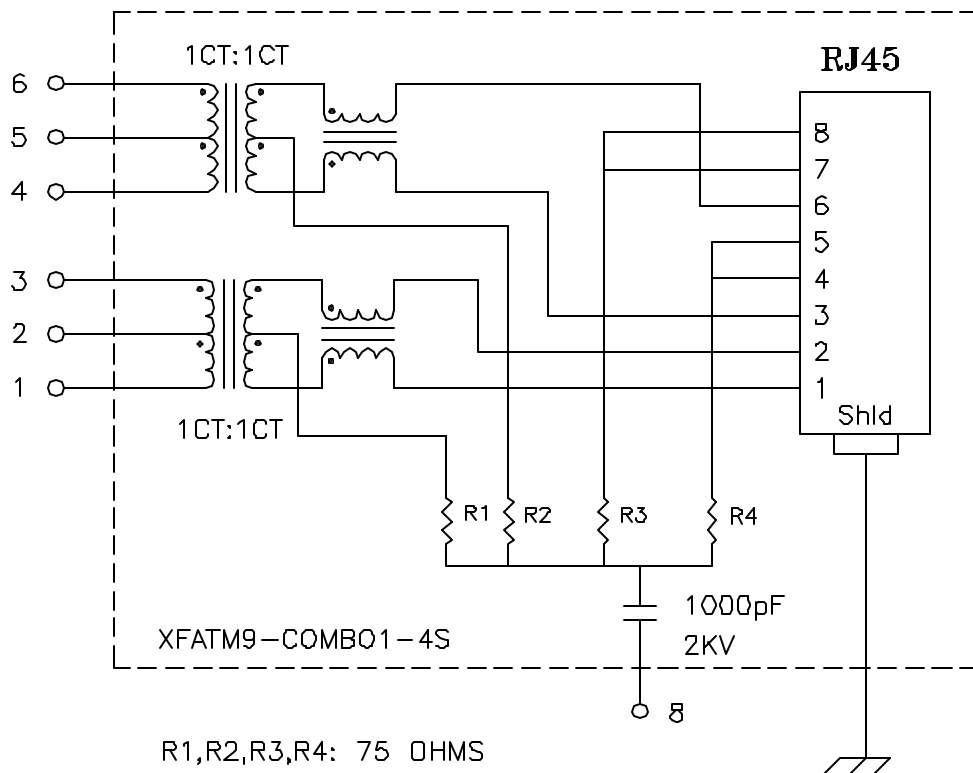


Schematic:



Electrical Specifications: @25°C

- Isolation Voltage: 1500 Vrms (Input to Output)
- Isolation Voltage: 500 Vrms (P1+2+3 to P4+5+6)
- Turns Ratio: TX 1CT:1CT ±3% RX 1CT:1CT ±3%
- CABLE SIDE OCL: 350uH Minimum @100KHz 100mV 8mADC
- Insertion Loss (300KHz-100MHz): -1.0dB Max
- Return Loss: @30MHz -18dB Minimum
- @80MHz -12dB Minimum

Notes:

1. Solderability: Leads shall meet MIL-STD-202G, Method 208H for solderability.
2. Flammability: UL94V-0
3. ASTM oxygen Index: > 28%
4. Insulation System: Class F 155°C. UL file E151556
5. Operating Temperature Range: All listed parameters are to be within tolerance from -40°C to +85°C
6. Storage Temperature Range: -55°C to +125°C
7. Aqueous wash compatible
8. Electrical and mechanical specifications 100% tested
9. RoHS Compliant Component

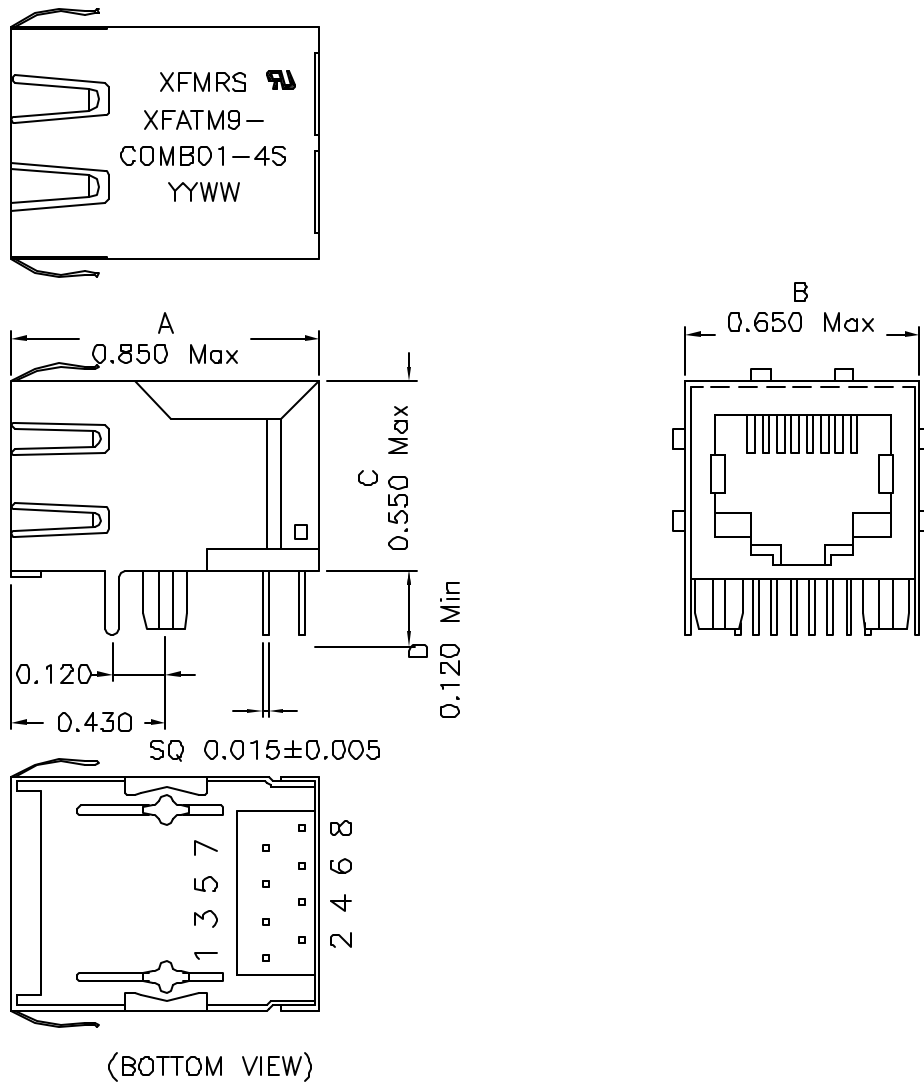
DOC. REV: A/6

XFMRs Inc. www.XFMRS.com	Title: SINGLE PORT COMBO		
	UNLESS OTHERWISE SPECIFIED TOLERANCES: .xxx ±0.010		P/N: XFATM9-COMBO1-4S
Dimensions in Inch	DWN.	李小锋	Mar-22-06
	CHK.	康玉坤	Mar-22-06
SHEET 1 OF 2	APP.	BW	Mar-22-06

PROPRIETARY:

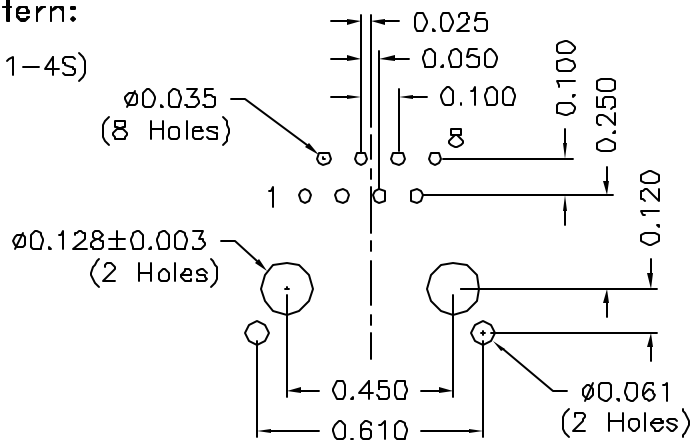
Document is the property of XFMRs Group & is not allowed to be duplicated without authorization.

Mechanical Dimensions:



Mounting Pattern:

(FOR COMB01-4S)
(COMP SIDE)



DOC. REV: A/6

XFMR5 Inc.	Title: Mechanical Dimensions For COMB01-4S Series		
	UNLESS OTHERWISE SPECIFIED TOLERANCES: .xxx ±0.010 Dimensions in Inch	P/N: XFATM9-COMB01-4S	REV. A
	DWN.	李小锋	Mar-22-06
	CHK.	廖玉坤	Mar-22-06
SHEET 2 OF 2	APP.	BW	Mar-22-06

PROPRIETARY:

Document is the property of XFMR5 Group & is not allowed to be duplicated without authorization.